

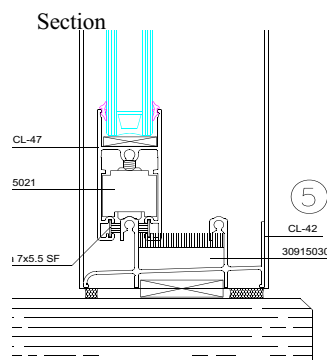


Certificate N° 216564

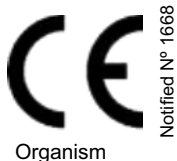
TESTS OF AIR PERMEABILITY, WATER TIGHTNESS AND WIND RESISTANCE

Company	Anicolor, Aluminios LDA. Oliveira do Bairro. Portugal
Product	Two-paned horizontal sliding window.
Model	Series: CL PLUS
Dimensions (AnxAI)	1230 mm x 1480 mm
Material	Alumínio
Glass	4/10/4
Date of test	04.02.10

Procedure of test:
 DIN EN 1026:2000. Windows and doors - Air permeability - Test method
 DIN EN 1027:2000. Windows and doors. Watertightness. Test method.
 DIN EN 12211:2000. Windows and doors. Resistance to wind load. Test method.



Air Permeability CLASS 3
Water Tightness CLASS 4A
Wind resistance CLASS B2



Procedure of classification:
 DIN EN 12207:2000. Windows and doors. Air permeability. Classification.
 DIN EN 12208:2000. Windows and doors. Watertightness. Classification.
 DIN EN 12210:2000. Windows and doors. Resistance to wind load. Classification.
 DIN EN 12210/AC:2002. Windows and doors. Resistance to wind load. Classification.

Oscar Ruiz Chicote
 Person in charge of the area

Luis García Viguera
 The director department construction

José Alvarez Burgué
 The Technical director

The present certification is coincidental with the report of test N° 216564